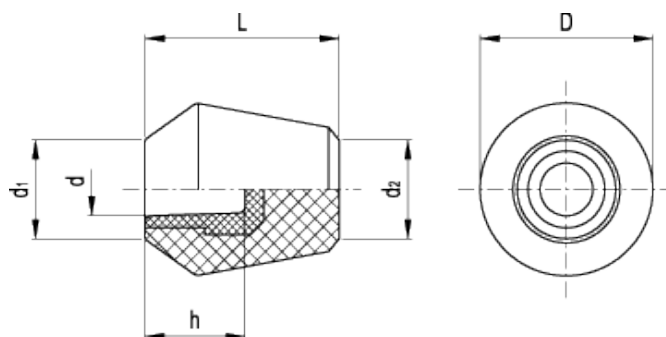


# P.390 N

Handles



ELESA Original design



## technical informations

### Material

Phenolic based (PF) Duroplast. Resistant to solvents, oils, greases and other chemical agents.

### Colour

Black, glossy finish.

### Assembly

Glass-fibre reinforced polyamide based (PA) technopolymer self-locking boss, plain blind hole.

The elastic coupling by press-fit assembly on h9 tolerance drawn stock bars, is not affected by vibrations and prevents the handle from slipping off (see [Technical Data](#) ).

### Assembly instructions

Fit the handle onto slight chamfered shaft end and push as far as possible by hand or by means of a small press. Alternatively it is possible to tap the handle with a plastic or wooden mallet until firmly in place. In this case we strongly recommend to use a cloth or other suitable soft material over the product to avoid any surface damage.

Standard Elements		Main dimensions				Mounting hole		Weight
Code	Description	D	L	d <sub>1</sub>	d <sub>2</sub>	d	h	g

47001	P.390/25 N-8	25	28	15	16	8	14	13
47101	P.390/30 N-10	30	33	17	19	10	18	21
47201	P.390/35 N-12	35	39	20	22	12	21	34
47301	P.390/40 N-14	40	45	23	25	14	24	50

---



ELESA and GANTER models all rights reserved in accordance with the law. Always mention the source when reproducing our drawings.

**STANDARD MACHINE ELEMENTS WORLDWIDE**